

Specification sheet LX 469

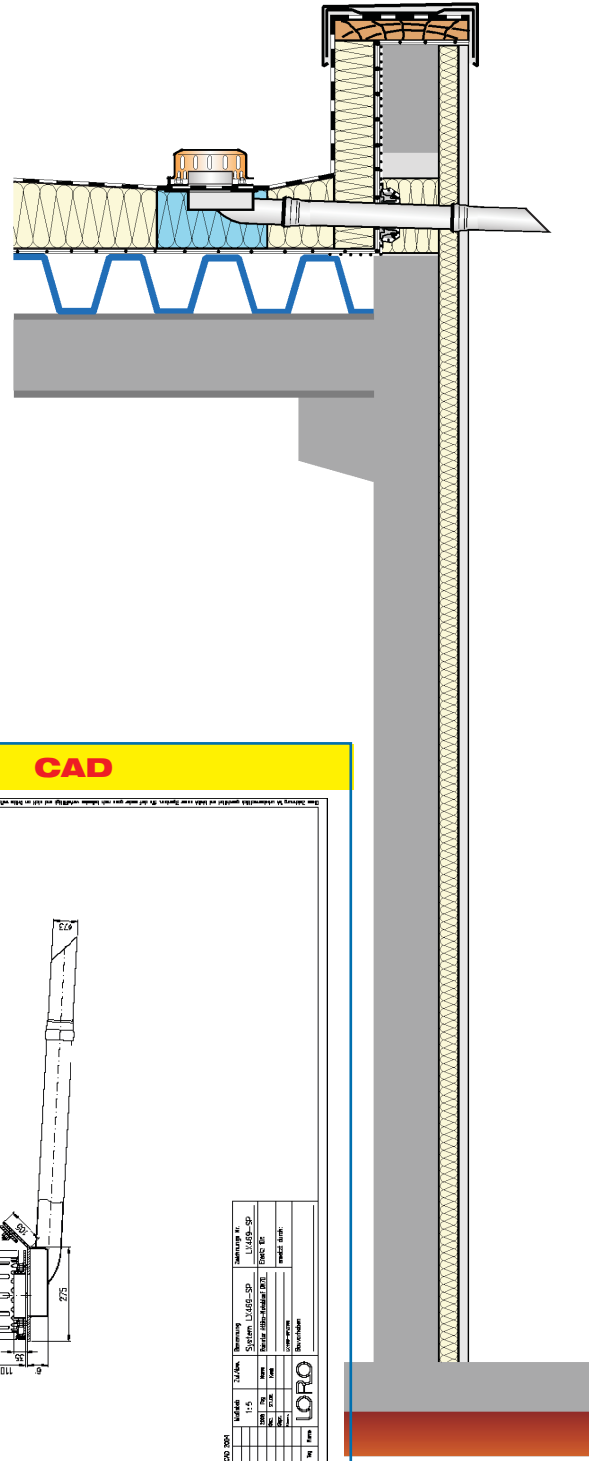
Parapet roof drainage systems Series 79/88 RAINSTAR® as spout

Emergency drainage

Gravity flow

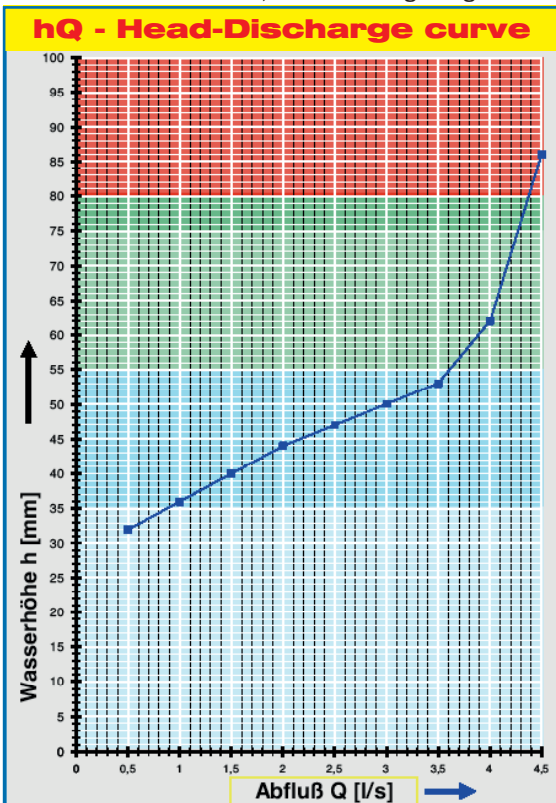
Silent Power

Discharge rate:	4,2 l/sec
Water height:	75 mm
Roof penetration:	92 mm
Diameter:	DN 70
LX-Number:	LX 469
Weir height:	35 mm
Drain:	ventilated
Downpipe:	-
Downpipe heighth:	0 m
Drainage:	on floor

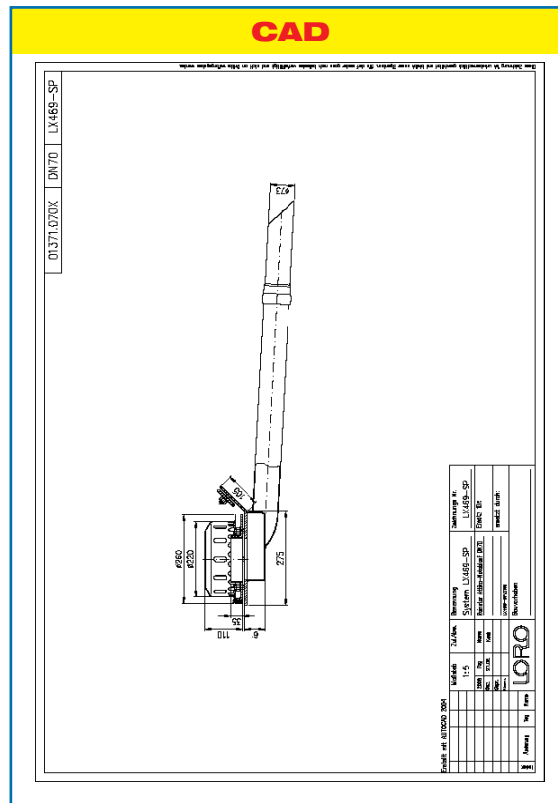


LX 469 Piece list

- 1 x Art.-No. choose drain on page two!
- 1 x Art.-No. 01384.000X, LORO-Thermal insulation block
- 1 x Art.-No. 01401.070X, LORO-X Pipe with one socket
- 1 x Art.-No. 15199.070X, LORO-X Spout
- 2 x Art.-No. 00911.070X, LORO-X Sealing elements
- 1 x Art.-No. 00986.000X, LORO-X Lubricant
- 1 x Art.-No. 13235.070X, LORO-Sliding flange



Systempower



Systemshape

Water height	mm	5	10	15	20	25	30	35	40	45	50	55	60	65	70	75
Discharge	l/sec							0,9	1,5	2,1	3,0	3,6	3,9	4,0	4,1	4,2
								Silent								

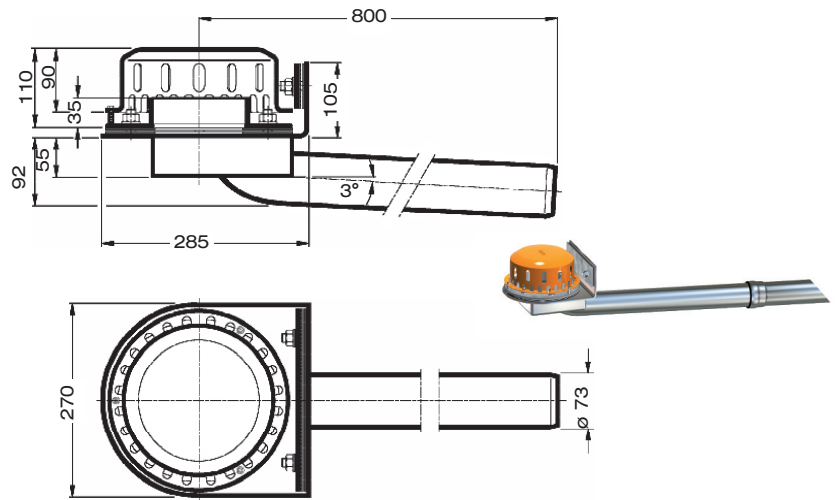
Choose drain for piece list on page one!

DN 70

LX469-1X

Drain Art.-No. 01373.070X
Weight: 6,4 kg

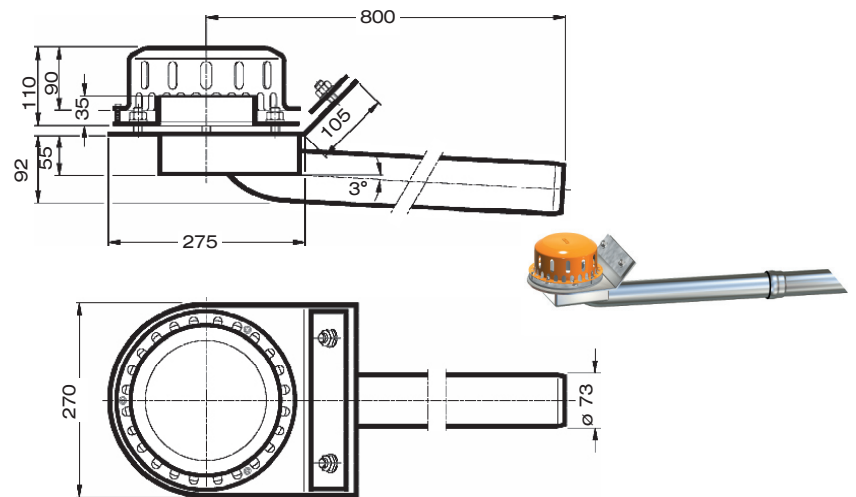
Series 79 (RB)
clamping flange 90°
for plastic roofing sheets



LX469-2X

Drain Art.-No. 01371.070X
Weight: 6,3 kg

Series 79 (RB)
clamping flange 45°
for bituminous roofing sheets



LX469-4X

Drain Art.-No. 01391.070X
Weight: 4,2 kg

Series 88
clamping flange
without raised edge
for bituminous and plastic
roofing sheets

